

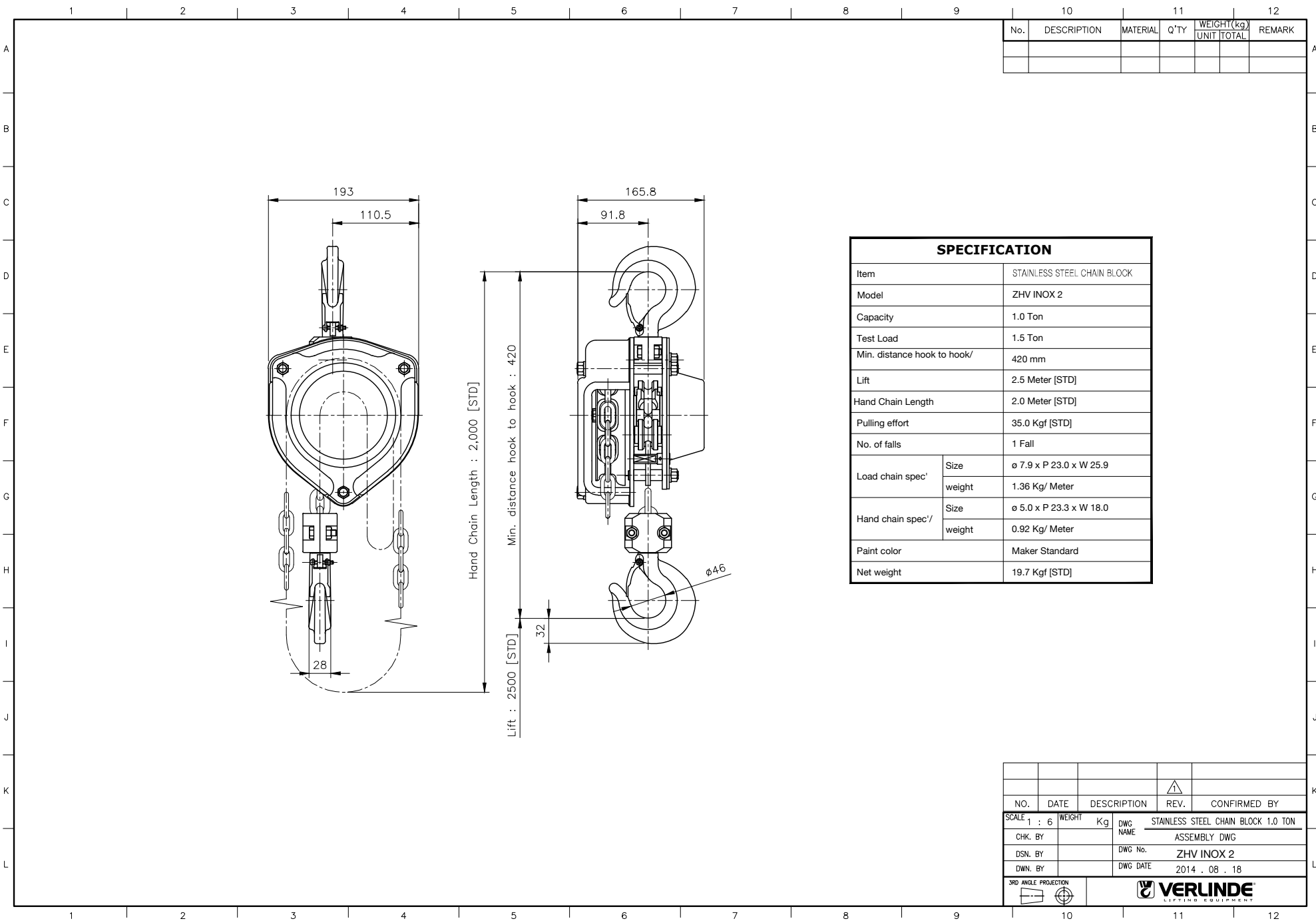
No.	DESCRIPTION	MATERIAL	Q'TY	WEIGHT (kg)		REMARK
				UNIT	TOTAL	

SPECIFICATION		
Item	STAINLESS STEEL CHAIN BLOCK	
Model	ZHV INOX 1	
Capacity	0.5 Ton	
Test Load	0.75 Ton	
Min. distance hook to hook/	355 mm	
Lift	2.5 Meter [STD]	
Hand Chain Length	2.0 Meter [STD]	
Pulling effort	18.0 Kgf [STD]	
No. of falls	1 Fall	
Load chain spec'	Size	ø 6.3 x P 19.0 x W 21.0
	weight	0.86 Kg/ Meter
Hand chain spec'/	Size	ø 5.0 x P 23.3 x W 18.0
	weight	0.92 Kg/ Meter
Paint color	Maker Standard	
Net weight	12.1 Kg [STD]	

NO.	DATE	DESCRIPTION	REV.	CONFIRMED BY

SCALE	1 : 5	WEIGHT	Kg	DWG NAME	STAINLESS STEEL CHAIN BLOCK 0.5 TON
CHK. BY				DWG No.	ASSEMBLY DWG
DSN. BY				DWG No.	ZHV INOX 1
DWN. BY				DWG DATE	2014 . 08 . 18

3RD ANGLE PROJECTION			VERLINDE LIFTING EQUIPMENT
----------------------	--	--	--------------------------------------



No.	DESCRIPTION	MATERIAL	Q'TY	WEIGHT (kg)		REMARK
				UNIT	TOTAL	

SPECIFICATION		
Item	STAINLESS STEEL CHAIN BLOCK	
Model	ZHV INOX 2	
Capacity	1.0 Ton	
Test Load	1.5 Ton	
Min. distance hook to hook/	420 mm	
Lift	2.5 Meter [STD]	
Hand Chain Length	2.0 Meter [STD]	
Pulling effort	35.0 Kgf [STD]	
No. of falls	1 Fall	
Load chain spec'	Size	ø 7.9 x P 23.0 x W 25.9
	weight	1.36 Kg/ Meter
Hand chain spec'/	Size	ø 5.0 x P 23.3 x W 18.0
	weight	0.92 Kg/ Meter
Paint color	Maker Standard	
Net weight	19.7 Kgf [STD]	

NO.	DATE	DESCRIPTION	REV.	CONFIRMED BY

SCALE	1 : 6	WEIGHT	Kg	DWG NAME	STAINLESS STEEL CHAIN BLOCK 1.0 TON
CHK. BY				DWG No.	ASSEMBLY DWG
DSN. BY				DWG No.	ZHV INOX 2
DWN. BY				DWG DATE	2014 . 08 . 18

3RD ANGLE PROJECTION

VERLINDE
LIFTING EQUIPMENT